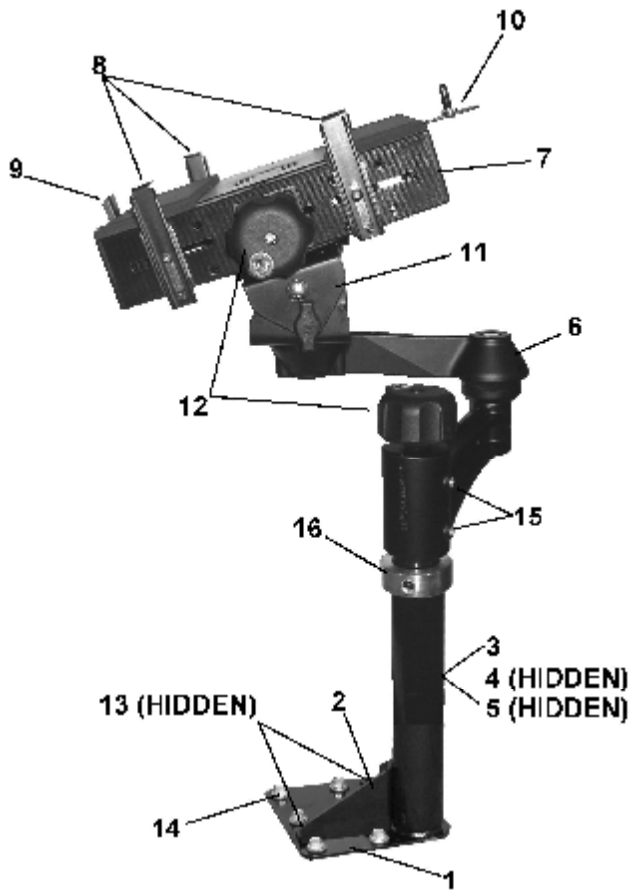


Fuzion Desk



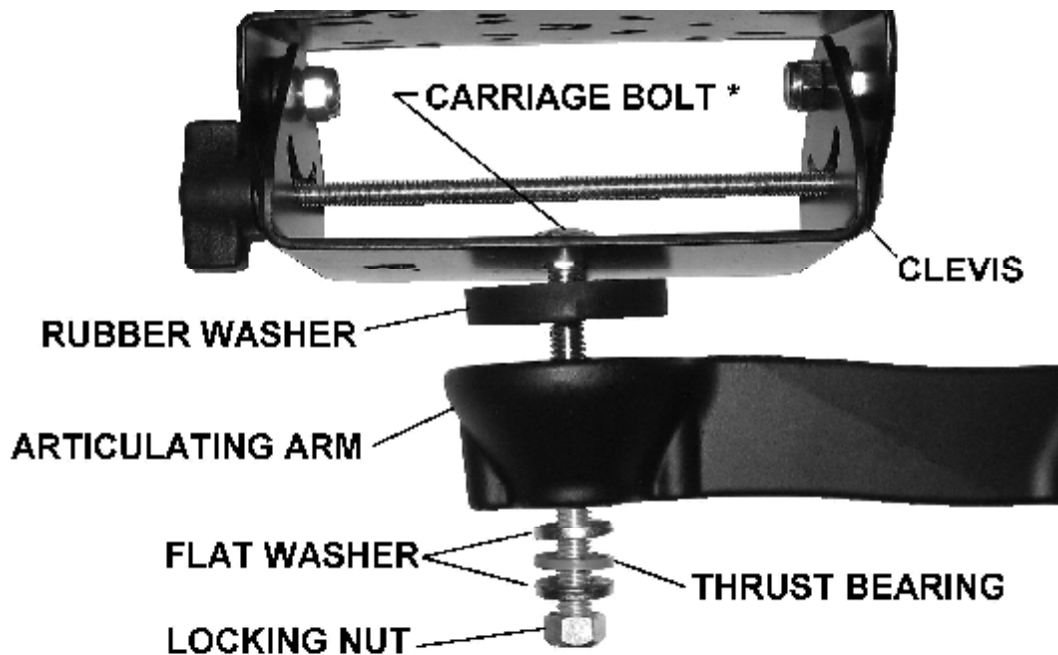
ITEM	QTY	DESCRIPTION
1	1	MOUNTING BASE
2	1	BRACE
3	1	OUTER PEDESTAL
4	1	ROD/WEDGE ASSEMBLY
5	1	INNER PEDESTAL
6	1	ARTICULATING ARM
7	1	COMPUTER TABLE
8	4	SIDE CLAMP ASSEMBLY
9	1	FRONT STOP ASSEMBLY
10	1	BACK STOP ASSEMBLY
11	1	CLEVIS
12	2	LOCKING KNOB
13	4	1/4-20 SCREW
14	8	1-1/2" SELF DRILLING SCREW
15	2	SET SCREW
16	1	SHAFT COLLAR
17	1	CLEVIS MOUNTING HARDWARE

TOOLS REQUIRED

1. Socket Wrench w/ 9/16" Socket
2. 1/8" Hex Key (included)
3. 5/32" Hex Key (included)
4. 3/16" Hex Key (included)
5. Power Drill w/ 3/8" Socket

Your desk may also include certain vehicle specific options, not shown above.

Attach Computer Table To Articulating Arm



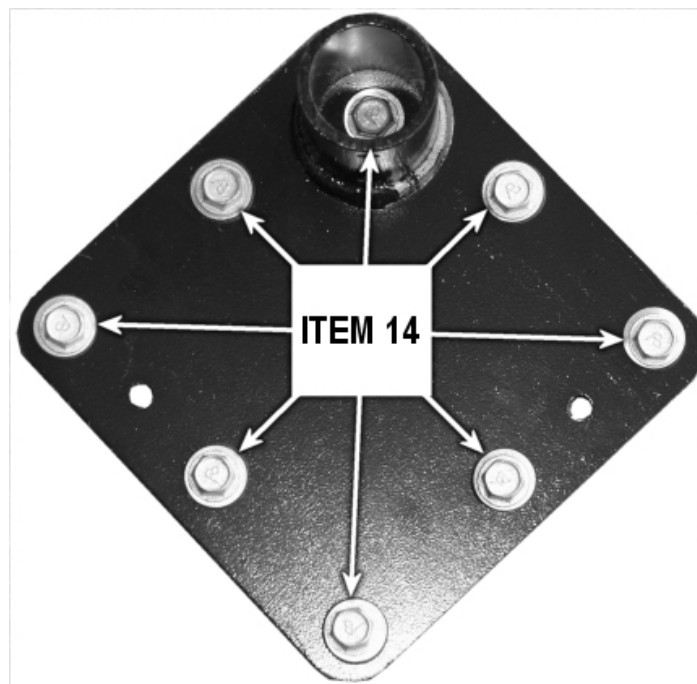
* (LONGER BOLT SHOWN FOR ILLUSTRATION PURPOSES)

1. Remove Clevis Mounting Hardware from Articulating Arm (ITEM 6)
2. Insert 2" carriage bolt through square hole in Clevis (ITEM 11) and install remaining hardware as shown.
3. Using a 9/16" socket, tighten locking nut until snug.

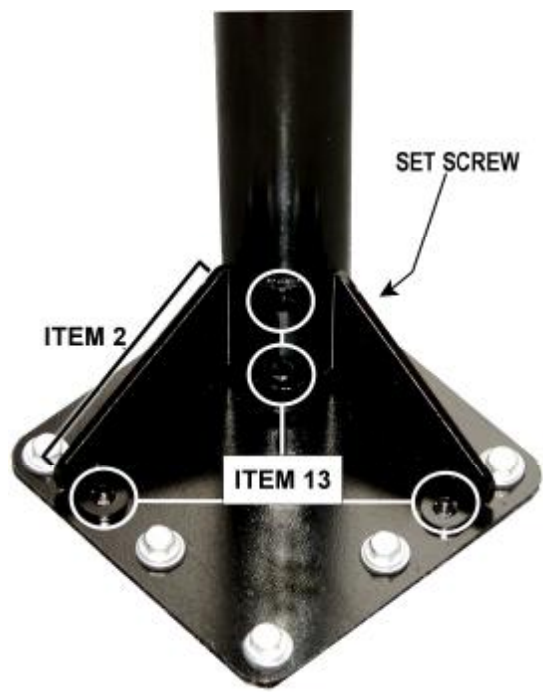
Install Mounting Base

1. Locate a suitable location for mounting the desk. Location should be level, or desk will not install properly.
2. Equip a power drill with a 3/8" socket.
3. Locate Mounting Base (Item 1), and Self Drilling Screws (Item 14)
4. Drive (8) Self Drilling Screws through Mounting Base and into floor board
(IMPORTANT: BE CAREFUL NOT TO DRILL INTO ANYTHING OTHER THAN THE FLOOR. IF YOU ARE UNSURE OF THE MOUNTING LOCATION, PLEASE CONSULT YOUR VEHICLE DEALER. SVP, INC. WILL NOT BE HELD RESPONSIBLE FOR DAMAGE TO VEHICLE)

If your Fuzion Desk came with a no-drill base, consult the instructions included with the base.



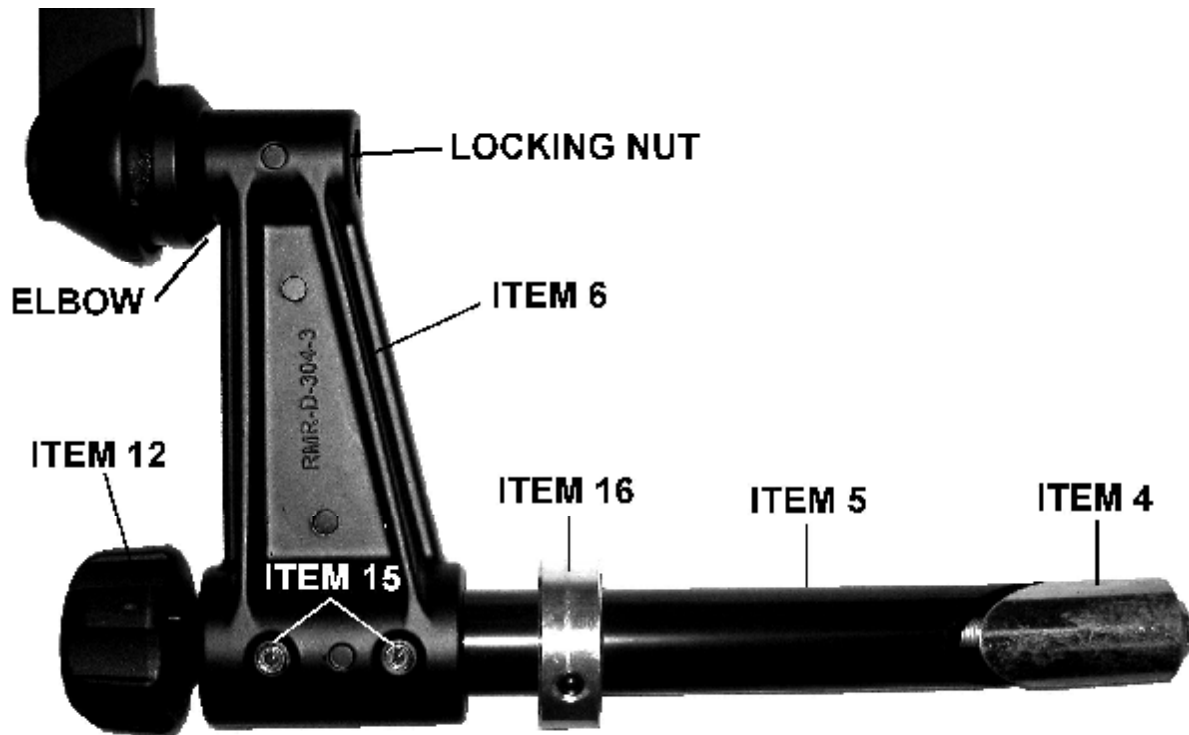
Assemble Outer Pedestal



1. Place Outer Pedestal (ITEM 3) on Mounting Plate as shown above.
2. If necessary, rotate pedestal so the (2) Thru Holes line up with the threaded holes of the Mounting Plate.
3. Position Brace (ITEM 2) on Mounting Plate as shown above.
4. Insert (2) 1/4-20 X 1/2" Bolts (ITEM 13) into holes as shown above.
5. Insert (2) 1/4-20 X 1/4" Bolts through Brace, into base.
6. Use the supplied 5/32" hex key to tighten bolts, and set screw.

(Tip: Do not tighten the bolts all the way until all four bolts are partially threaded into the holes.)

Assemble Inner Pedestal

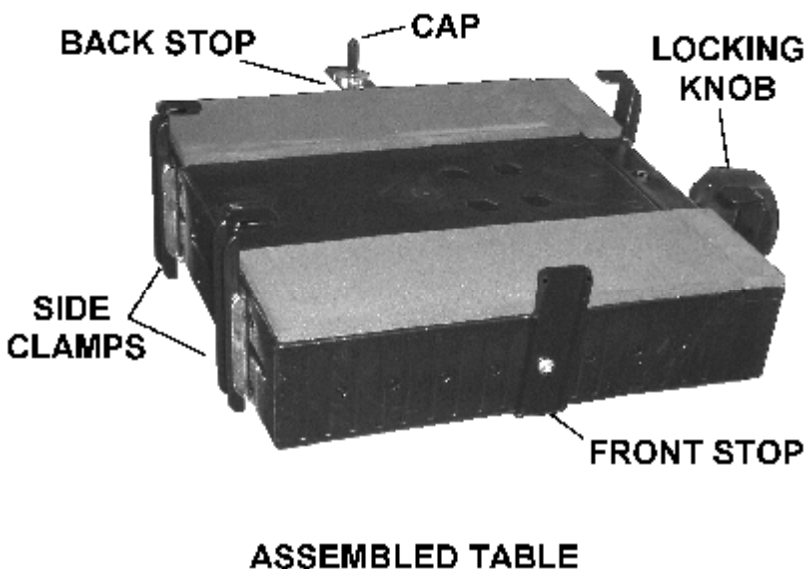


1. Insert Inner Pedestal (ITEM 5) into lower section of Articulating Arm (ITEM 6) as shown above. Tighten Set Screws (ITEM 15) using 5/32" hex key.
2. Insert Wedge Assembly (ITEM 4) through Inner Pedestal so threaded rod protrudes through hole in lower section of Articulating Arm. Replace 3/8-16 Knob (ITEM 12) to secure Inner Pedestal. Do not tighten knob completely
3. Insert assembled Inner Pedestal into Outer Pedestal (ITEM 3). When desired height is reached, tighten 3/8-16 Knob to secure.
4. The Shaft Collar (ITEM 16) can be used to maintain the optimal height while adjustments are made for rotation of the desk. Use the supplied 3/16" hex key to adjust the Shaft Collar as needed.
5. To adjust the tension on Elbow, tighten or loosen the Locking Nut using a socket wrench with a 9/16" socket.

Configure Fuzion Computer Table



- The Front and Back Stops can be mounted to any of the eight holes along the front and back of the Computer Table. After locating one that will not interfere with your computer's operation, position the locking nut in the corresponding slot inside the table, and attach the stops using the supplied 1/8" hex key and 1/2" screws. A vinyl cap is provided to cover the 1" screw on the Back Stop.
- The Side Clamps mount to the slots along the sides of the Computer Table, and can be adjusted both vertically and horizontally. Position the Tab Nut inside the table with the tab in the slot. Use the 1/8" hex key and 3/4" screws to attach the clamps. Adjust the clamps as necessary to accommodate your computer.



LOCKING KNOB

Use the supplied key to lock/unlock the locking knob. When the knob is locked, it will spin freely and not allow the table to be expanded or contracted. When unlocked, the knob will engage the threads, allowing the table to expand and contract.